

Product innovations March 2026

New products and product extensions



The innovative pioneers of smart cable management

Expertise in a wide range
of industries



Automation | Robotics



Control Panel Construction



Pneumatics



Automotive Engineering | eMobility



Food Processing and Packaging



Railway Technology



Cleanroom Technology



Mechanical Engineering



Renewable Energies



Defence | Security



We have been successfully developing innovative systems for cable entry and EMC cable shielding for almost 30 years. Leading global manufacturers from various industries rely on our expertise and innovative strength. Numerous patents and certifications are both an incentive and an aspiration for us.

News from the icotek product world – find out all about our latest product innovations here.

New products and extensions

03 2026

KEL-ERM VARIO

4 – 5



Cable entry with variable dividers for maximum flexibility

KEL-DPF-OD

6 – 7



Cable entry grommets for extreme conditions

IMAS-CONNECT AT-D16

8



Adapter grommet for M16 interfaces

QT 2|8

9



Split cable grommet for the QT system

CCL-RK, RKM6

10



Cable clamp with knurled knob for user-friendly assembly

CC-LFC-RK

11



Product set with knurled knob for user-friendly assembly

MSMC

12



Accessories for MSMC cable clamp
Elastic clamp pad set for vibration damping

MSMC

13



Accessories for MSMC cable clamp
Expanded mounting options for cable routing and strain relief

MSMC

14



Short-circuit resistance in accordance with IEC 61914

icUtter 16

15



Special tool for precise U-shaped housing cut-outs

ALLIOLIGHT

16 – 18



TUBE RGB, TUBE RGW, TUBE WHITE Cascadable machine light | with signal function

ALLIOLIGHT

19



ALU-LINE B200
Compact and energy-saving enclosure luminaire

KEL-ERM VARIO

Cable entry
with variable dividers
for maximum flexibility

Advantages and features

- Only one frame size for different variants (e.g. 24|10, 24|7, 24|4)
- Maximum flexibility thanks to plug-in dividers
- Maintain manufacturer's warranty on pre-terminated cables
- Quick retrofitting and easy servicing
- High cable density, wide variety of grommets
- Strain relief according to EN 62444
- High stability, vibration resistant
- Very easy assembly
- Can be combined with IMAS-CONNECT adapter grommets

The KEL-ERM VARIO is the logical further development of icotek's proven cable entry system.

It was specially designed for the introduction of pre-assembled cables and offers maximum flexibility: different configurations can be easily implemented – without having to replace the frame. A special feature are the plug-in dividers, which allow the frame to be individually adapted to the respective application. This means that the KEL-ERM VARIO can be equipped with different numbers of large or small grommets. A single base frame is sufficient for all variants of a frame size.

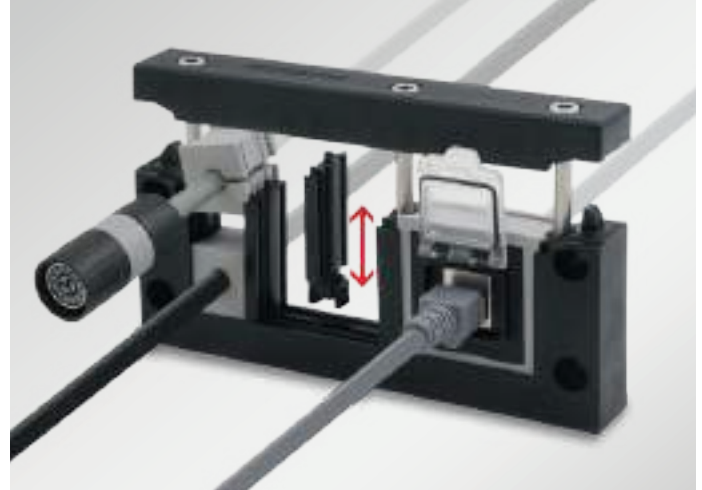
Depending on the grommet used, cables with diameters from 1 to 16 mm (single grommets KT1 to KT15) or 16 to 35 mm (single grommets KT16 to KT34) can be securely routed, sealed with protection class IP65 or UL Type 12 and strain-relieved in accordance with EN 62444. As with the KEL-ER, the cable glands are automatically fixed in the frame during assembly. Once fully assembled, the cover is securely screwed on. The KEL-ERM VARIO is compatible with standard cut-outs for 10-, 16- and 24-pin heavy-duty connectors. The KEL-ERM VARIO B size is based on 46 × 46 mm cut-outs (e.g. for controllers, meters).

Thanks to the injected seal and the use of single grommets, the high IP65 protection rating is maintained even in flexible configurations.

The KEL-ERM VARIO is also available with integrated threaded bushings – perfect for assembly on the inside of the enclosure and ideal for protection against vandalism or accidental loosening.

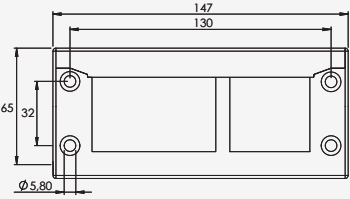
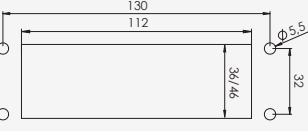
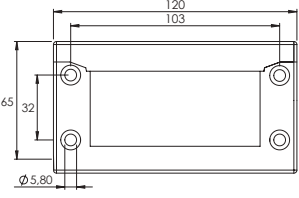
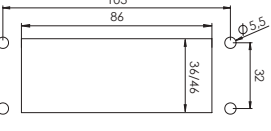
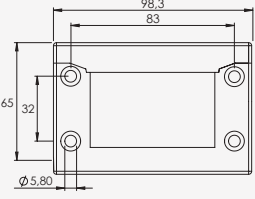
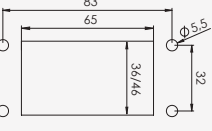
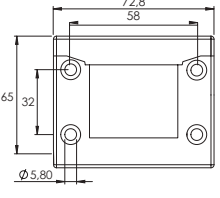
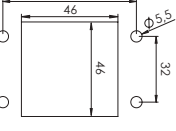
The modular concept reduces the number of components required, saves storage space and simplifies planning, design and assembly. At the same time, it increases flexibility in enclosure construction and device integration.

Thanks to its variable design, the KEL-ERM VARIO is suitable for a wide range of applications and requirements – from series machines to individual special solutions.



Specifications

| | |
|--------------|--|
| Material | Polyamide (PA) |
| Flame class | UL 94 V-0, self-extinguishing |
| IP rating | IP65 when using single grommets, certified according to EN 60529:2014-09, IP54 when using multi grommets |
| Temperature | -40°C to +140°C (static) |
| Properties | Halogen free, silicone free |
| Frame height | 22 mm |

| Description | Cut-out Drilling template | Type | Cut-out dimensions mm | max. number of grommets | Order No. | PU |
|---|---|--|-----------------------|-------------------------|-----------|----|
|  |  | KEL-ERM VARIO 24 | 36/46 × 112 | 10 | 68341 | 10 |
| | | KEL-ERM VARIO 24 with V2A screws | 36/46 × 112 | 10 | 68341.200 | 10 |
| | | KEL-ERM VARIO 24 with threaded bushings M4 | 36/46 × 112 | 10 | 68341.400 | 10 |
| | | KEL-ERM VARIO 24 with V2A screws with threaded bushings M4 | 36/46 × 112 | 10 | 68341.240 | 10 |
|  |  | KEL-ERM VARIO 16 | 36/46 × 86 | 8 | 68342 | 10 |
| | | KEL-ERM VARIO 16 with V2A screws | 36/46 × 86 | 8 | 68342.200 | 10 |
| | | KEL-ERM VARIO 16 with threaded bushings M4 | 36/46 × 86 | 8 | 68342.400 | 10 |
| | | KEL-ERM VARIO 16 with V2A screws with threaded bushings M4 | 36/46 × 86 | 8 | 68342.240 | 10 |
|  |  | KEL-ERM VARIO 10 | 36/46 × 65 | 6 | 68343 | 10 |
| | | KEL-ERM VARIO 10 with V2A screws | 36/46 × 65 | 6 | 68343.200 | 10 |
| | | KEL-ERM VARIO 10 with threaded bushings M4 | 36/46 × 65 | 6 | 68343.400 | 10 |
| | | KEL-ERM VARIO 10 with V2A screws with threaded bushings M4 | 36/46 × 65 | 6 | 68343.240 | 10 |
|  |  | KEL-ERM VARIO B | 46 × 46 | 4 | 68344 | 10 |
| | | KEL-ERM VARIO B with V2A screws | 46 × 46 | 4 | 68344.200 | 10 |
| | | KEL-ERM VARIO B with threaded bushings M4 | 46 × 46 | 4 | 68344.400 | 10 |
| | | KEL-ERM VARIO B with V2A screws with threaded bushings M4 | 46 × 46 | 4 | 68344.240 | 10 |

Spare parts

| Description | Order No. | PU |
|-----------------------------------|-----------|----|
| Plug-in divider for KEL-ERM VARIO | 68345 | 10 |

KEL-DPF-OD

Cable entry grommets for extreme conditions

Advantages and features

- Quick installation and secure fit thanks to screw connection with a locknut
- Very large variable sealing range (3 – 60 mm)
- Angled insertion of inflexible cables is possible
- Certified protection IP66/IP68 (in accordance with EN 60529:2014-09)
- Suitable for metric cut-outs M25 – M75
- The locknut is included in the shipment

Maximum resistance for extreme conditions! The new KEL-DPF-OD series has been specially developed for applications where extreme environmental conditions are part of everyday life.

The KEL-DPF-OD is ideally suited for applications in which cable entries are permanently exposed to strong UV radiation, weathering and temperature fluctuations. Compared to standard versions, it offers increased material resistance and extended service life in outdoor environments. Thanks to its approvals, it is particularly suitable for the use in photovoltaic systems (UL 6703, UL 6703A, UL 3703, UL 1703).

The flexible design of the cone makes it much easier to insert and position the cable than with conventional cable glands.

Reliable protection in extreme climatic environments

Maximum protection against weather conditions such as rain, snow, UV radiation, dust and extreme temperatures.

F1 listing (UV and weather resistance according to UL 746C)

The long-term durability means an increased service life without embrittlement or material fatigue.

Quick and easy installation

Saves time and money during installation and maintenance.

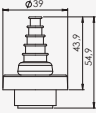
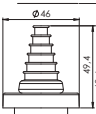
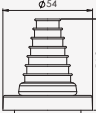
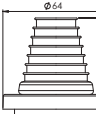

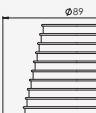
High tightness and strain relief

The high protection ratings ensure the performance of the cable installation, especially in outdoor areas.



Specifications

| | |
|---------------|---|
| Material | Polyamide (PA), TPE with UV resistance F1 |
| Colour | ■ anthracite (similar RAL 7016) |
| Flame class | UL 94 V-1, self-extinguishing |
| IP rating | IP66/IP68 (certified according to EN 60529:2014-09) |
| Temperature | -40°C to +120°C (static) |
| Properties | Silicone free |
| Thread length | 11 mm |
| Cut-out | Metric sizes |

| Type | Thread metric | External diameter | Clamping range | Order No. | PU | |
|---|---------------------|-------------------|----------------|------------|---------|---|
|  | KEL-DPF 25 3-12 OD | M25 × 1.5 | 39 mm | 3 – 12 mm | ■ 62652 | 5 |
|  | KEL-DPF 32 6-18 OD | M32 × 1.5 | 46 mm | 6 – 18 mm | ■ 62653 | 5 |
|  | KEL-DPF 40 12-27 OD | M40 × 1.5 | 54 mm | 12 – 27 mm | ■ 62654 | 5 |
|  | KEL-DPF 50 22-36 OD | M50 × 1.5 | 64 mm | 22 – 36 mm | ■ 62655 | 5 |
|  | KEL-DPF 63 27-50 OD | M63 × 1.5 | 77 mm | 27 – 50 mm | ■ 62656 | 5 |
|  | KEL-DPF 75 39-60 OD | M75 × 1.5 | 89 mm | 39 – 60 mm | ■ 62657 | 1 |

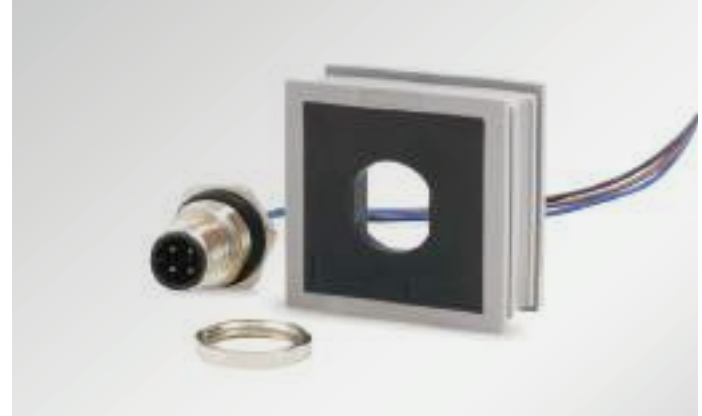


AT-D 16

Adapter grommet for M16 interfaces

Advantages and features

- Space-saving thanks to the integration of the M16 connection into the cable entry frame
- High IP65 protection rating when plugged in
- Can be combined with existing frame solutions
- Service-friendly, clean integration of M16 connections
- Suitable for rear wall mounting
- Very easy assembly
- Compatible with M16 circular connectors from various manufacturers



The AT-D 16 grommet is part of the IMAS-CONNECT™ modular adapter system and enables the simple integration of a standardised M16 interface into a cable entry frame – without any additional housing cut-outs.

The AT-D 16 is compatible with all icotek cable entry frames of the KT system. The integrated M16 interface allows M16 connectors and couplings to be installed directly in the cable entry frame, creating a compact and clean interface solution.

In combination with suitable M16 circular connectors, the AT-D 16 achieves an IP65 protection rating. This ensures reliable sealing, even under demanding industrial environmental conditions.

The AT-D 16 is ideal for manufacturers of equipment and machinery who want to integrate M16 connections in a modular, space-saving and service-friendly manner, for example for applications in sensor technology, actuator technology, power supply or data transmission. Thanks to its modular design, interfaces can be adapted or expanded at any time, which is a clear advantage over the entire life cycle of the machine.



Specifications

| | |
|------------------|---|
| Material | Grommet: Elastomer Body with recess: Polyamide |
| Flame class | UL 94 V-0, self-extinguishing |
| Protection class | IP65 when using correct components |
| Temperature | -40°C to +100°C (static) |
| Properties | Halogen free, silicone free |

| Description | Type | Interface | Order No. | PU |
|-----------------|---------|-----------|-----------|----|
| Adapter grommet | AT-D 16 | M16 | 39984 | 10 |

QT 2|8

Split cable grommet for the QT system



Advantages and features

- Routing of pre-assembled cables through split cable entry frames and cable glands
- Protection class IP54
- Doubling of packing density possible when using double grommets
- Strain relief when a suitable cable entry is selected
- Suitable for cable entries of the QT system

The range of split cable grommets for the QT system has been expanded to include a double version with a diameter of 2 x 8 mm.

Split cable grommets QT are used with the following cable entry components:

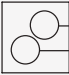
- KEL-QUICK
- QVT
- QVT-CLICK
- KEL-QTA

The use of double cable grommets allows the packing density of the cable entry to be doubled. The new grommet offers a clamping range of 2x 8 mm and can be closed with the compatible ST 8 plugs.



Specifications

| | |
|------------------|-------------------------------|
| Material | Elastomer |
| Flame class | UL 94 V-0, self-extinguishing |
| Protection class | IP54 |
| Temperature | -40°C to +100°C (static) |
| Properties | Halogen-free, silicone-free |

| Description | Type | Clamping range | Compatible plugs | Order No. | PU |
|---|--------|----------------|------------------|-----------|----|
|  | QT 2 8 | 2 x 8 mm | ST 8 | 42579 | 10 |

CCL | CCL-RK

Cable clamp with knurled knob for user-friendly assembly

Advantages and features

- Quick and easy assembly, particularly user-friendly with a knurled knob
- Tool-free and space-saving assembly
- Large variety of clamping areas from 6 to 64 mm, CCL-RK up to 32 mm
- High packing density
- For mounting on all common C-rails with 16 – 17 mm opening dimensions

The four smallest sizes are also available with a knurled knob for quick tightening or loosening of the clamp. The large, easy-grip knurled knob makes it simple and convenient to secure the CCL without the need for tools.

The cable clamps are characterised by a high clamping range and great flexibility. Ideally suited for strain relief on the C-rail for opening dimensions 16 – 17 mm. It offers flexible clamping ranges from 6 mm to 64 mm.

The counter trough integrated in the cable clamp is secured by a locking mechanism and cannot slip out of the cable clamp under tensile load.



Specifications

| | |
|-------------------------|------------------|
| Material CCL | Galvanised steel |
| Material RKM6 | Thermoplastic |
| Material counter trough | Polyamide (PA) |

| Type | Clamping range | Order No. | PU |
|---|----------------|-----------|----|
| CCL-RK 6-13 Cable clamp with knurled knob | 6 – 13 mm | 32000.100 | 25 |
| CCL-RK 12-19 Cable clamp with knurled knob | 12 – 19 mm | 32001.100 | 25 |
| CCL-RK 18-23 Cable clamp with knurled knob | 18 – 23 mm | 32002.100 | 25 |
| CCL-RK 22-32 Cable clamp with knurled knob | 22 – 32 mm | 32003.100 | 25 |
| RKM6 knurled knob for CCL, CC-LFC and screws | | 99220 | 25 |

CC-LFC-RK

Product set with knurled knob
for user-friendly assembly



Advantages and features

- Quick and easy assembly, particularly user-friendly with a knurled knob
- Space-saving due to the combination of the LFC shield clamp with the CCL cable clamp
- Large variety of clamping areas
- Large cable shield contact area
- Shield contacting and strain relief are separated from each other
- For mounting on all common C-rails with an opening dimension of 16–17 mm

The practical product set is now also available with a knurled knob for easy, tool-free installation!

Convenient product set consisting of the LFC EMC shield clamp for contacting the cable shield and discharging interference currents in combination with the matching CCL cable clamp for strain relief on the cable jacket.



Specifications

| | |
|----------|--|
| Material | LFC: Spring steel galvanised Cable clamp: Steel galvanised Knurled knob: Thermoplastic |
|----------|--|

| Type | Clamping range A Cable clamp (\varnothing on the cable sheath) | Clamping range B Shield clamp (\varnothing on the cable shield) | Order No. | PU |
|--|---|--|-----------|----|
| CC-LFC-RK 6-13 MSKL 3-12 Cable clamp with knurled knob | 6 – 13 mm | 3 – 12 mm | 37680.100 | 10 |
| CC-LFC-RK 12-19 MSKL 8-18 Cable clamp with knurled knob | 12 – 19 mm | 8 – 18 mm | 37681.100 | 10 |
| CC-LFC-RK 18-23 SKL 17-22 Cable clamp with knurled knob | 18 – 23 mm | 17 – 22 mm | 37682.100 | 10 |
| CC-LFC-RK 22-32 SKL 22-30 Cable clamp with knurled knob | 23 – 32 mm | 22 – 30 mm | 37683.100 | 10 |

Accessories for MSMC cable clamp

Elastic clamp pad set for vibration damping

RoHS
compliant

Advantages and features

- Enhanced vibration and oscillation damping
- The material offers higher friction, enabling the use of smooth pipes
- Compensation for diameter changes in cables or hydraulic lines caused by temperature fluctuations
- Gentle clamping of sensitive cables

In combination with the practical elastic clamp pads, MSMC cable clamps offer expanded and optimised application possibilities.

The inserts are very easy to install; they are placed directly onto the upper and lower parts of the MSMC.

Please note: The use of the inserts changes the clamping range of the cable clamp!



Specifications

| | |
|-------------|----------------|
| Material | NBR |
| Colour | black |
| Temperature | -30°C to +90°C |

| Type | Suitable for | Clamping range MSMC without insert | Clamping range MSMC with insert | Order No. | PU |
|-------|--------------|---------------------------------------|------------------------------------|-----------|----|
| ECP 1 | MSMC 10-22 | ∅ 10 – 22 mm | ∅ 6 – 18 mm | 32590 | 5 |
| ECP 2 | MSMC 20-32 | ∅ 20 – 32 mm | ∅ 16 – 28 mm | 32591 | 5 |
| ECP 3 | MSMC 30-46 | ∅ 30 – 46 mm | ∅ 26 – 42 mm | 32592 | 5 |
| ECP 4 | MSMC 44-55 | ∅ 44 – 55 mm | ∅ 40 – 51 mm | 32593 | 5 |

Accessories for MSMC cable clamp

Expanded mounting options for cable routing and strain relief

Advantages and features

- Reliable strain relief for large and heavy cables
- Available for all MSMC clamping ranges
- For neat cable routing throughout the entire control cabinet area

Robust system for cable strain relief in the control cabinet, consisting of four retaining brackets and a mounting bracket.

The retaining brackets are available to fit all sizes of MSMC cable clamps. The mounting bracket is designed for MSMC 30-46 and 44-55 and is mounted on the base plate.

In combination with the KEL-DPF 50 cable entry, even large, heavy cables can be reliably fixed and strain-relieved after being routed through the switch cabinet base.



Please note: Assemble as when stacking the MSMC, with short markings at the bottom and long markings at the top.

Specifications

Material Galvanised steel

| Type | Suitable for | Order No. | PU |
|------------------------------|--------------------------|-----------|----|
| MBR 109-50 retaining bracket | MSMC 10-22 MSMC 20-32 | 32120 | 5 |
| MBR 109-80 retaining bracket | MSMC 10-22 MSMC 20-32 | 32121 | 5 |
| MBR 154-50 retaining bracket | MSMC 30-46 MSMC 44-55 | 32122 | 5 |
| MBR 154-80 retaining bracket | MSMC 30-46 MSMC 44-55 | 32123 | 5 |
| MW 110-43 mounting bracket | MSMC 30-46 MSMC 44-55 | 32124 | 1 |

MSMC

Short-circuit resistance in accordance with IEC 61914



Advantages and features

- Meets the requirements for short-circuit resistance in accordance with IEC 61914
- Increases planning reliability in project planning
- Suitable for use in safety-critical applications

The modular stackable cable clamp MSMC has been successfully tested for short-circuit resistance and reliably meets the requirements of IEC 61914.

The tests carried out confirm that the MSMC can safely absorb the electromechanical forces that occur during an electrical short circuit – even in practically relevant short-circuit current ranges.

Short-circuit resistance (KSF) – what does that mean?

“Short-circuit resistance describes the ability of a cable support or cable support system to withstand the electromechanical forces that occur during an electrical short circuit.”

The verified KSF value provides users with a reliable basis for decision-making regarding the standard-compliant and safe use of MSMC in demanding applications. At the same time, the tested short-circuit resistance increases planning reliability – for permanently safe and standard-compliant cable routing in all relevant industries.



Short-circuit resistance in accordance with IEC 61914

| | |
|--|-------------|
| Impulse short circuit current | i_p 78 kA |
| Dynamic short-circuit withstand capability | 8200 N |

(measured values for MSMC 30-46 and MSMC 44-55, when fastened with both outer screws, with a clamp spacing of 900 mm and single-row arrangement)

icUtter 16

Special tool for precise U-shaped housing cut-outs

Advantages and features

- Easy punching of U-shaped cut-outs in plastic housings
- The IP54 protection rating of the UT and UT-DT grommets is retained
- Cutting templates suitable for various tongue and groove systems
- Precise, straight cut-outs and defined distances between adjacent cut-outs
- Supplied in a high-quality, padded transport case



For easy and clean production of U-shaped cut-outs for UT grommets in plastic enclosures, icotek offers a special tool set called icUtter.

The icUtter allows you to manually punch out perfectly fitting cut-outs with minimal effort. The supplied cutting templates ensure that the cut-outs are always made correctly; even when working with different tongue-and-groove systems you will always achieve a precise result.

The cutting templates also ensure a straight, vertical cut and guarantee that the required minimum distance between adjacent UT grommets is maintained. The tool is designed for enclosure wall thicknesses of up to 3.0 mm.



Specifications

Material cutting template Polypropylene (PP)

| Type | Description | Order No. | PU |
|------------|--|-----------|----|
| icUtter 16 | Complete set of special tools for UT grommets including 15 cutting templates 18 mm, 20 mm, 22 mm | 80400 | 1 |

Spare parts

| Description | Order No. | PU |
|---------------------------------------|-----------|----|
| Cutting template 18 mm for icUtter 16 | 80401 | 5 |
| Cutting template 20 mm for icUtter 16 | 80402 | 5 |
| Cutting template 22 mm for icUtter 16 | 80403 | 5 |

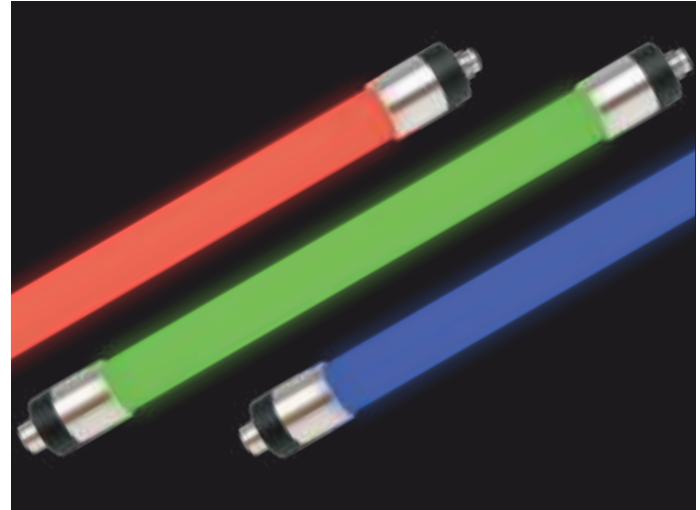
TUBE RGB | TUBE RGB SC

Cascadable machine light with signal function



Specifications TUBE RGB, TUBE RGB SC

| | |
|---|-------------------------------------|
| Tube material | Borosilicate glass or polycarbonate |
| End caps material | Stainless steel, Polypropylene (PP) |
| Mounting clips material | Polypropylene (PP) |
| Operating voltage | Constant voltage 24 V DC (±7%) |
| Rated power | see table |
| Luminous flux | see table |
| Colour rendering index CRI | > 80 |
| Protection class | IP67 (certified acc. to EN 60598-1) |
| Protection category | III (Protective extra-low voltage) |
| Operating temperature | -20°C to +50°C |
| Impact resistance of polycarbonate tube | IK08 |
| Service life of illuminant | 60,000 hours |



| Type | Length | Tube material | Rated power Rated voltage | Luminous flux R | Luminous flux G | Luminous flux B | Cascadable | Order No. |
|--------------------------|--------|--------------------|------------------------------|--------------------|--------------------|--------------------|------------|-----------|
| LED TUBE PC 7 W, RGB | 360 mm | Polycarbonate | 7 W 24 V DC | 168 lm | 267 lm | 173 lm | – | 81570 |
| LED TUBE PC 14 W, RGB | 640 mm | Polycarbonate | 14 W 24 V DC | 336 lm | 534 lm | 346 lm | – | 81571 |
| LED TUBE BS 7 W, RGB | 360 mm | Borosilicate glass | 7 W 24 V DC | 168 lm | 267 lm | 173 lm | – | 81572 |
| LED TUBE PC 7 W, RGB SC | 370 mm | Polycarbonate | 7 W 24 V DC | 168 lm | 267 lm | 173 lm | ● | 81575 |
| LED TUBE PC 14 W, RGB SC | 650 mm | Polycarbonate | 14 W 24 V DC | 336 lm | 534 lm | 346 lm | ● | 81576 |
| LED TUBE BS 7 W, RGB SC | 370 mm | Borosilicate glass | 7 W 24 V DC | 168 lm | 267 lm | 173 lm | ● | 81577 |

Advantages and features

- Chemical-resistant borosilicate glass or impact-resistant polycarbonate tube
- Protection class IP67
- Completely maintenance-free product
- High energy efficiency thanks to High Power LED
- Compact round design \varnothing 28 mm, suitable for the tightest installation situations
- Easy retrofitting in existing machines
- 360° rotatable
- Clear information thanks to coloured light (RGB, RGW versions)
- Cascadable models available (SC versions)
- Cable connection via M12 connector

The new generation of TUBE system luminaires is available in WHITE, RGB and RGW versions. The TUBE SC versions (serial connection) can also be cascaded.

The TUBE is available in chemical-resistant borosilicate glass and impact-resistant polycarbonate (impact resistance IK08).

The coloured light from the TUBE RGB or RGW provides clear visual information, thus contributing to greater safety. All colours in the RGB colour space can be produced by mixing the three primary colours: red, green and blue.

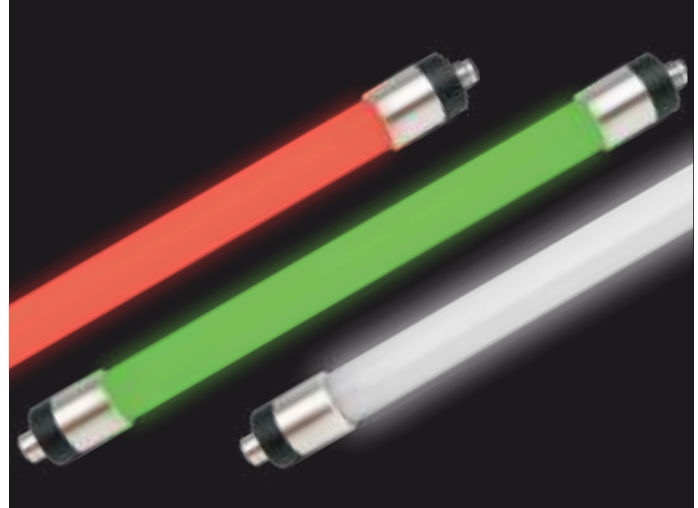
TUBE RGW | TUBE RGW SC

Cascadable machine light with signal function



Specifications TUBE RGW, TUBE RGW SC

| | |
|--|-------------------------------------|
| Tube material | Borosilicate glass or polycarbonate |
| End caps material | Stainless steel, Polypropylene (PP) |
| Mounting clips material | Polypropylene (PP) |
| Operating voltage | Constant voltage 24 V DC (±7%) |
| Rated power | see table |
| Luminous flux | see table |
| Light colour W | 5700 K |
| Colour rendering index CRI | > 80 |
| Protection class | IP67 (certified acc. to EN 60598-1) |
| Protection category | III (Protective extra-low voltage) |
| Operating temperature | -20°C to +50°C |
| Impact resistance of polycarbonate tube | IK08 |
| Service life of illuminant | 60,000 hours |



| Type | Length | Tube material | Rated power Rated voltage | Luminous flux R | Luminous flux G | Luminous flux W | Light colour W | Cascadable | Order No. |
|--------------------------|---------|-----------------------|------------------------------|--------------------|--------------------|--------------------|-------------------|------------|-----------|
| LED TUBE PC 7 W, RGW | 360 mm | Polycarbonate | 7 W 24 V DC | 214 lm | 645 lm | 1210 lm | 5700 K | – | 81580 |
| LED TUBE PC 14 W, RGW | 640 mm | Polycarbonate | 14 W 24 V DC | 430 lm | 1290 lm | 2420 lm | 5700 K | – | 81581 |
| LED TUBE BS 7 W, RGW | 360 mm | Borosilicate glass | 7 W 24 V DC | 214 lm | 645 lm | 1210 lm | 5700 K | – | 81582 |
| LED TUBE BS 14 W, RGW | 640 mm | Borosilicate glass | 14 W 24 V DC | 430 lm | 1290 lm | 2420 lm | 5700 K | – | 81583 |
| LED TUBE PC 7 W, RGW SC | 370 mm | Polycarbonate | 7 W 24 V DC | 214 lm | 645 lm | 1210 lm | 5700 K | ● | 81585 |
| LED TUBE PC 14 W, RGW SC | 650 mm | Polycarbonate | 14 W 24 V DC | 430 lm | 1290 lm | 2420 lm | 5700 K | ● | 81586 |
| LED TUBE BS 7 W, RGW SC | 370 mm | Borosilicate glass | 7 W 24 V DC | 214 lm | 645 lm | 1210 lm | 5700 K | ● | 81587 |
| LED TUBE BS 14 W, RGW SC | 650 mm | Borosilicate glass | 14 W 24 V DC | 430 lm | 1290 lm | 2420 lm | 5700 K | ● | 81588 |
| LED TUBE PC 28 W, RGW SC | 1210 mm | Polycarbonate | 28 W 24 V DC | 860 lm | 2580 lm | 4840 lm | 5700 K | ● | 81589 |

TUBE WHITE | TUBE WHITE SC

Robust and cascable
machine luminaire



Specifications TUBE WHITE, TUBE WHITE SC

| | |
|---|-------------------------------------|
| Tube material | Borosilicate glass or polycarbonate |
| End caps material | Stainless steel, Polypropylene (PP) |
| Mounting clips material | Polypropylene (PP) |
| Operating voltage | Constant voltage 24 V DC |
| Rated power | see table |
| Protection class | IP67 (certified acc. to EN 60598-1) |
| Protection category | III (Protective extra-low voltage) |
| Operating temperature | -20°C to +50°C |
| Impact resistance of polycarbonate tube | IK08 |
| Service life of illuminant | 60,000 hours |
| Light colour | 5700 K |



| Type | Length | Tube material | Rated power Rated voltage | Luminous flux | Light colour | Cascable | Order No. |
|-------------------------|---------|--------------------|------------------------------|---------------|--------------|----------|-----------|
| LED TUBE PC 7 W, WH | 360 mm | Polycarbonate | 7 W 24 V DC | 1210 lm | 5700 K | – | 81550 |
| LED TUBE PC 14 W, WH | 640 mm | Polycarbonate | 14 W 24 V DC | 2420 lm | 5700 K | – | 81551 |
| LED TUBE PC 28 W, WH | 1200 mm | Polycarbonate | 28 W 24 V DC | 4840 lm | 5700 K | – | 81553 |
| LED TUBE BS 7 W, WH | 360 mm | Borosilicate glass | 7 W 24 V DC | 1210 lm | 5700 K | – | 81554 |
| LED TUBE BS 14 W, WH | 640 mm | Borosilicate glass | 14 W 24 V DC | 2420 lm | 5700 K | – | 81555 |
| LED TUBE PC 7 W, WH SC | 370 mm | Polycarbonate | 7 W 24 V DC | 1210 lm | 5700 K | ● | 81560 |
| LED TUBE PC 14 W, WH SC | 650 mm | Polycarbonate | 14 W 24 V DC | 2420 lm | 5700 K | ● | 81561 |
| LED TUBE PC 28 W, WH SC | 1210 mm | Polycarbonate | 28 W 24 V DC | 4840 lm | 5700 K | ● | 81563 |
| LED TUBE BS 7 W, WH SC | 370 mm | Borosilicate glass | 7 W 24 V DC | 1210 lm | 5700 K | ● | 81564 |
| LED TUBE BS 14 W, WH SC | 650 mm | Borosilicate glass | 14 W 24 V DC | 2420 lm | 5700 K | ● | 81565 |

ALU-LINE B200

Compact and energy-saving enclosure luminaire



Specifications

| | |
|----------------------------|-------------------------------------|
| Cover material | Polycarbonate |
| Housing material | Aluminium |
| Protection class | IP20 |
| Protection category | I (Protective conductor connection) |
| Operating temperature | -20°C to +50°C |
| Service life of illuminant | 50 000 hours |
| Light colour | 5600 K |
| Luminous flux | 900 lm |
| Rated voltage | 230 V AC |
| Rated power | 6 W |



| Type | Length | Rated power | Rated voltage | Luminous flux Light colour | Colour rendering index CRI | Order No. |
|--------------------------------|--------|-------------|---------------|-------------------------------|-------------------------------|-----------|
| ALU-LINE system luminaire B200 | 200 mm | 230 V AC | 6 W | 900 lm 5600 K | > 80 | 81310 |

Advantages and features

- High-quality and stable aluminium housing
- Various mounting types: screw assembly and assembly on top-hat rail 35 mm
- Space-saving short version of the luminaire
- Effective 6 W LED lighting with 900 lm
- Through-wiring of several luminaires possible

The new B200 is a particularly energy- and space-saving version of the proven ALU-LINE system luminaire. With a length of only 200 mm, it fits into even the smallest of spaces.

The ALU-LINE system luminaires provides effective lighting in enclosures for industrial and IT applications. Their aluminium housing makes them particularly high-quality and stable.

The efficient 6W LED shines with 900 lumens and provides balanced, uniform surface lighting. Another advantage is that through-wiring allows additional control cabinet lights and sockets to be connected via connecting cables.

The connecting cable is not included in the scope of delivery and must be ordered separately. Mounting brackets are included in the delivery.

icotek GmbH & Co. KG

Bischof-von-Lipp-Straße 1
73569 Eschach | Germany

Tel +49 7175 9 23 80-0

Fax +49 7175 9 23 80-50

info@icotek.com

www.icotek.com

icotek (swiss) AG

Wiesenstrasse 14
9327 Tübach | Switzerland

Tel +41 71 858 23 23

Fax +41 71 858 23 24

info@icotek.ch

www.icotek.ch

icotek SARL

130, rue des terres Bourdin
69140 Rillieux-la-Pape
France

Tél +33 4 81 91 97 65

Fax +33 4 81 91 97 68

info@icotek.fr

www.icotek.fr

icotek Italia s.r.l.

Via Dante Alighieri, 26/28
20029 Turbigo (MI) | Italia

Tel +39 0331 152 03 23

info@icotek.it

www.icotek.it

icotek Iberia S.L.

Carrer de la Ciència 19B
08850 Gavà, Barcelona
España

Tel +34 666 449 978

info@icotek.es

www.icotek.es

icotek Limited

Unit C5,
Broadoak Business Park
Ashburton Road West,
Trafford Park

Manchester M17 1RW | UK

Phone +44 161 222 3454

info@icotek.co.uk

www.icotek.co.uk

icotek Elektronik Tic. Ltd. Şti.

Fevzi Çakmak Mah.,
Bilginler Sok. No: 17/A-B
34899 | Pendik, İstanbul
Türkiye

Tel +90 216 396 59 59

info@icotek.com.tr

www.icotek.com.tr

icotek Corp.

3435 N Kimball Ave
Chicago, IL 60618 | USA

Phone +1 312.643.2315

info@icotek-usa.com

www.icotek-usa.com

icotek Cable Management Trading (Shanghai) Co. Ltd

1st-2nd floor, Building 8,
No. 188, Zhongchen Road,
Songjiang District,
Shanghai City, 201613

Tel +86 21 5767 6805

Fax +86 21 5765 9635

info@icotek.cn

www.icotek.cn

icotek India Pvt Ltd

No 14-b, 4th Cross Rd
Veerasandra Industrial Area
Phase 2, Electronic City
Bengaluru, Karnataka 560100
India

Phone +91 953 567 3112

info@icotek.in

www.icotek.in



Request your
free product sample:
www.icotek.com

